



www.snpower.co.kr

M.O.F

Metering Out Fit

Leading Company In
High Voltage Equipments



SAMNUNG CO., Ltd.



CONSTRUCTION

- The 3-Phase M.O.F consists of three current transformers and three voltage transformers in one tank.
- There are magnetic cores for forming magnetic circuit in the tank filled with insulation oil.
- Three high voltage bushings and one neutral bushing located at the top of the tank are connected to high voltage distribution lines.
- Secondary terminal block located in front of the tank is connected to metering instruments.

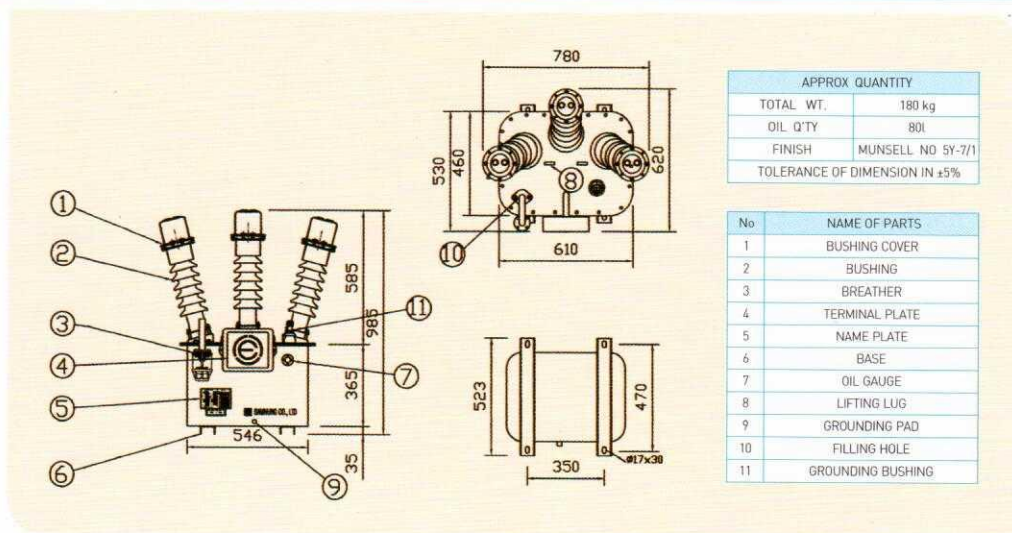


SPECIFICATION

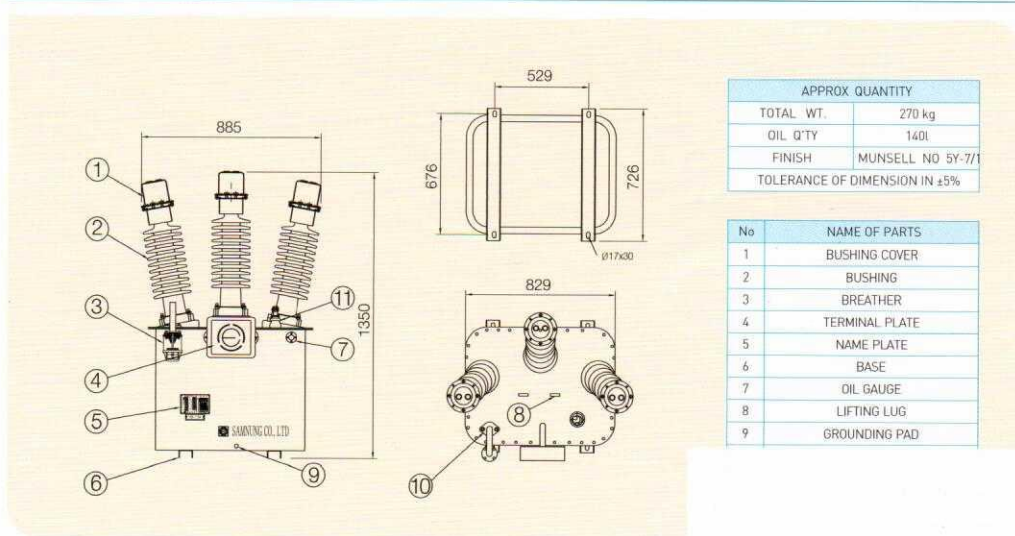
Manufacturer / Country	SAMNUNG CO., Ltd. / korea	
	24kV	35kV
Type	SNM-1 3 phase 4 wire (Y-Y) outdoor, oil immersed type	
Applied Standard	IEC 66044-1, 2, 3	
Rated primary Voltage /Secondary Voltage	22,000 / $\sqrt{3}$ V / 110 / 3V	35,000 $\sqrt{3}$ V / 110 / $\sqrt{3}$ V
Rated Primary Current	10-5A, 20-10A, 30-15A, 40-20A, 50-25A, 60-30A, 80-40A, 100-50A, 150-75A, 200-100A, 300-150A, 400-200A	
Rated Secondary Current	5A	
Accuracy Class	0.5 class	
Rated Frequency	50Hz	
Rated Burden	CT : 25VA x 3, PT : 25VA x 3	CT : 30VA X 3, PT : 30VA X 3
Power Frequency Withstand Test Voltage on Primary Winding	50kV	70kV
Power Frequency Withstand Test Voltage on Secondary Winding	3kV	3kV
Lightning Impulse Test Voltage	150kV	170kV
Induced Voltage Test on Secondary Winding	250kV	220kV
Rated Continuous Voltage Factor	$\frac{1.2}{1.9 V_n/30sec}$	$\frac{1.2}{1.5 (30S)}$
Maximum Ambient Temperature	45°C	
Ambient Relative Humidity	95%	
Limit of Temperature Rise	60 deg°C	
Thermal Short-time Current (1th) for 1 sec	80 times of rated primary current	
Rated Dynamic Current(I dyn)	2.5 lth	1.2 lth



DRAWING - 24kV



DRAWING - 35kV



M.O.F Metering Out Fit

Leading Company In High Voltage Equipments



Attention

Warning

Do not touch MOF when operating!

Do not tilt and grab bushings when moving

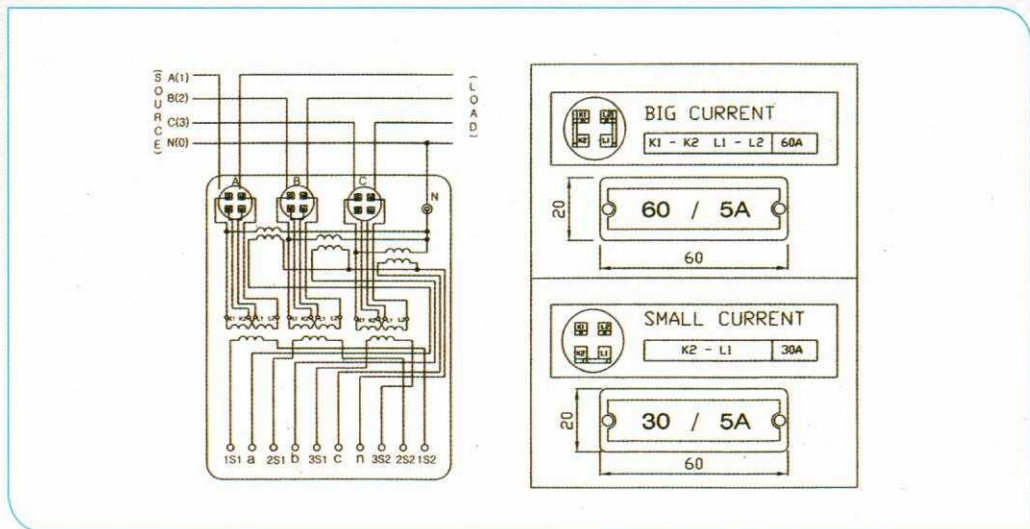
Only authorized person(officer) open terminal block and connect!



04

SAMNUNG

CONNECTION



CAT.2014.07 Design & Printed by 032 Indesign +82-32-8886-032

05

SAMNUNG

Selection of rated primary current(A) according to maximum power(kVA) contracted with power company

Maximum Power	Primary Current	Maximum Power	Primary Current
~ 180kVA	5A	~ 1800kVA	50A
~ 360kVA	10A	~ 2700kVA	75A
~ 540kVA	15A	~ 3600kVA	100A
~ 620kVA	20A	~ 5400kVA	150A
~ 1080kVA	30A	~ 7200kVA	200A
~ 1240kVA	40A	~ 10800kVA	300A



SAMNUNG Co., Ltd.

111-20, Eunha-ro 184beon-gil, Eunha-myeon, Hongseong-gun, Chungcheongnam-do, Korea
 Tel. 82-41-642-0741~4 | Fax 82-41-642-0745
 E-mail : snpower@snpower.co.kr http : //www.snpower.co.kr



LGMEC JSC

Hà Nội

No.02 Alley 55/42 Thanh Lan, Thanh Tri, Hoang Mai, Ha Noi, Vietnam
 Tel. 84-4-2210 6045 | Email : lgmecvn@gmail.com

TP.HCM

199 Kinh Duong Vuong Str, Dist 6, HCMC, Vietnam
 Tel. 84-8-38778143 | Email : lgmec.hcm@gmail.com

Hưng Yên

Pho Noi B Industrial Zone, Nghia Hiep, Yen My, Hung Yen, Vietnam
 Tel. 84-3213-589600 | Email : liengiame@gmail.com

www.lgmec.com - www.lgmec.vn



www.snpower.co.kr