



DRAWING LIST

I - Customer :

II - Project name :

III - Content catalogue :

Drawing no.

- | | |
|---|------------------------|
| 1. Description Oil-Immersed Transformer ----- | VSTS.18165-A (1 / 2) |
| 2. Transformer Specification ----- | VSTS.18165-A (2 / 2) |
| 3. Outline of Transformer ----- | TA020D323A |
| 4. HV Bushing ----- | TA060D014A |
| 5. LV Bushing ----- | TA065D020A |

Prepared : **CAO NGUYEN** Checked : **NGUYEN THI OANH** Approved : *Lin Yu Yuan*
2018/6/23 *2018/6/23*

1. According to the drawings produced.

2. According to the revised content.

3. According to the revised requirements resend drawing.

4. Comments request as follows :

Customer
signature

SHIHLIN ELECTRIC & ENGINEERING CORP.



TRANSFORMER SPECIFICATION

SPEC: VSTS.18165-A

A : INSTRUCTION :

1. SITE CONDITION :

TRANSFORMERS SHALL BE SUITABLE FOR OPERATION AT RATED KVA UNDER AMBIENT TEMPERATURE 45 °C BELOW AND ALTITUDE 1000M BELOW ◦

2. STANDARD :

THE TRANSFORMER IS DESIGNED , MANUFACTURED AND TESTED IN ACCORDANCE WITH THE PURCHASER'S SPECIFICATION AND APPLICABLE PARTS OF TCVN 8525, TCVN 6306, IEC 60076 STANDARD ◦

3. CONSTRUCTION :

3.1 CORES : THE CORES SHALL BE FABRICATED FROM COLD ROLLED GRAIN ORIENTED SILICONE STEEL
EACH CORE WILL BE EARTHED TO THE TANK AT ONE POINT WITH A DETACHABLE FLEXIBLE STRAP AND SECURELY FASTENED TO PREVENT MOVEMENT RELATIVE TO THE TANK ◦

3.2 WINDING : THE WINDING SHALL BE OF COPPER AND FULLY INSULATED FOR THE CONTINUOUS WORKING AT THE SPECIFIED SERVICE VOLTAGE ◦
THE MATERIALS FOR INSULATION OF WINDING AND ALL CONNECTION SHALL HAVE ADEQUATE CHARACTERISTICS NOT TO BE DETERIORATED UNDER THE ACTION OF HOT OIL OR FROM OTHER CAUSE AT THE MAXIMUM PERMISSIBLE LOAD ◦ THE WINDING WILL WITHSTAND THE EFFECT OF SHORT CIRCUIT ◦

3.3 TANKS : THE TANK OF TRANSFORMER IS MADE OF MILD STEEL PLATE WITH EXTERNAL COOLING FINS OR RADIATORS WHERE NECESSARY ◦
THE TANK WILL BE SO DESIGNED AS TO PREVENT THE COLLECTION OF MOISTURE ON ANY PART AND TO BE SUFFICIENTLY RIGID TO RESIST DISTORTION WHEN THE TRANSFORMER IS LIFTED ◦

3.4 PAINTING : TRANSFORMER IS FINISHED WITH THREE COATS ◦
THE FIRST COAT IS APPLIED WITH A RUST INHIBITOR ◦
THE QUALITY OF PAINTING SHALL BE ACCORDING TO THE MANUFACTURER'S STANDARD PRACTICE ◦
THE COLOR REFER TO NO.14 (B.TECHNICAL DATA) ◦

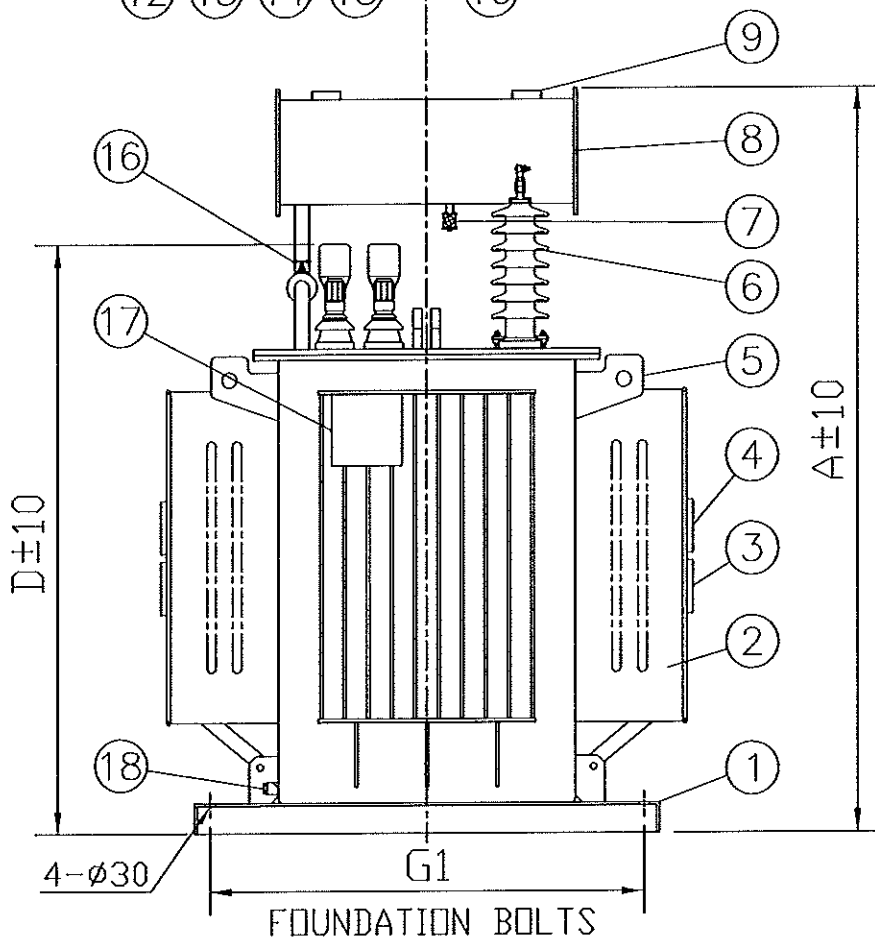
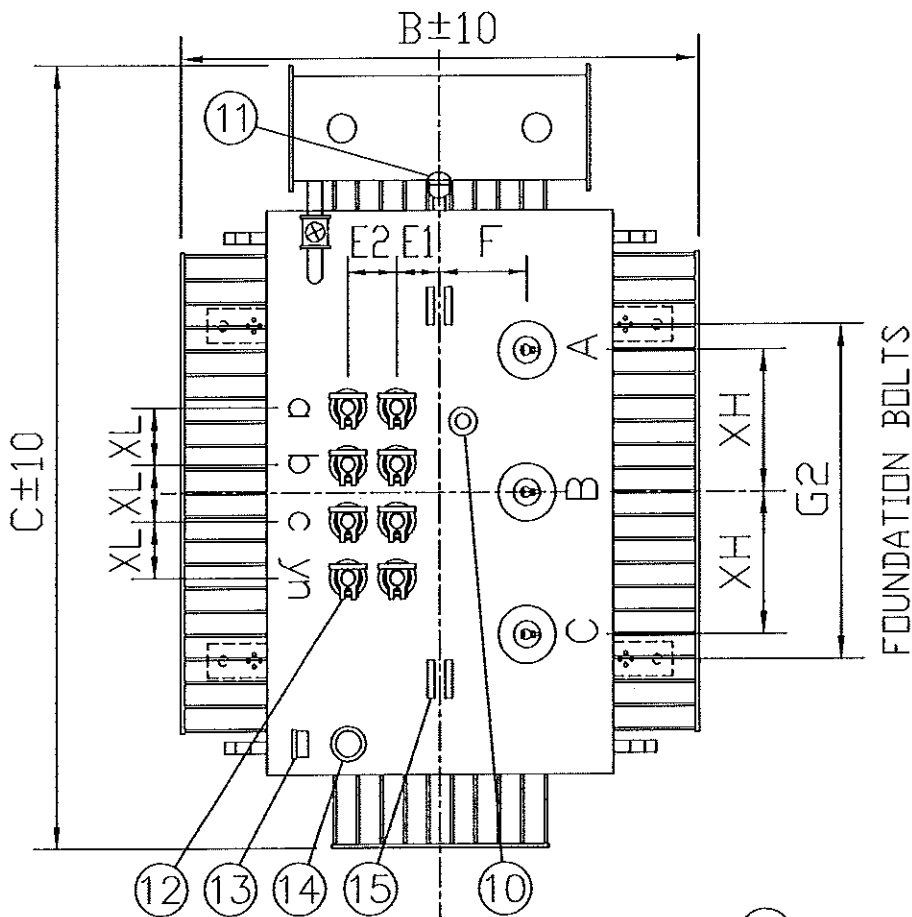
3.5 OIL : THE TRANSFORMER WILL BE FILLED WITH NORMAL QUANTITY OF INSULATION OIL OF ASTM D3487◦

B : TECHNICAL DATA :

SPEC: VSTS.18165-A

01. Item	1			
02. Quantity	1			
03. ϕ ---Hz---kVA	3 ϕ 50Hz	4000 kVA		
04. Type	ONAN Sealed			
05. High Voltage (V)	F 23100	105.0%		
	F 22550	102.5%		
	R 22000 Δ	100.0%		
	F 21450	97.5%		
	F 20900	95.0%		
06. Low Voltage (V)	400 Y / 231			
07. BIL (kV)	HV 125	- LV -		
08. AC VOLTAGE (kV)	HV 50	- LV 3		
09. Connection Symbol	Dyn11			
10. Temperature - Rise (°C)	Oil 60	Coil 65		
11. Characteristic	(at 75°C, pf=1.0)	Tolerances		
No-load loss (W)	3100			
Load loss (W)	28200			
Total losses (W)	31300			
Efficiency(50%) (%)	99.50			
Efficiency(100%) (%)	99.22			
Impedance (%)	6.00	$\pm 10\%$		
12. Outline drawing (Dimensions: mm)	TA020D323A A= 2295 E1= 125 B= 1735 E2= 150 C= 2840 F= 200 D= 1805 XL= 165 G1= 1300 XH= 300 G2= 1300			
13. Oil (L)--- Total weight (kg)	2150 L	8970 kg		
14. Color No.	RAL 7001			
15. H.V Bushing.	TA060D014A			
16. L.V Bushing.	TA065D020A			
Remark	Oil: Mineral Oil Expansion Tank			

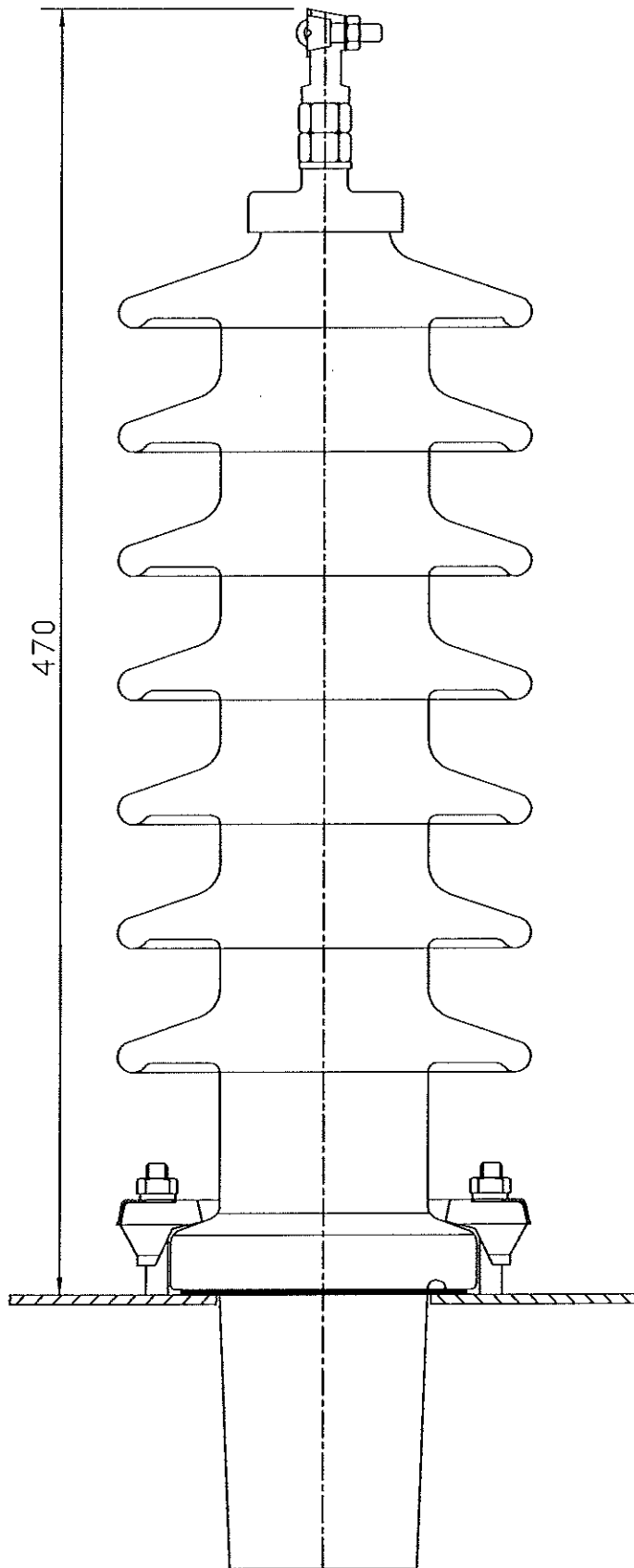
PREPARED BY : *Cao Nguyen* CHECKED BY : *Nguyen Thi Canh* APPROVED BY : *Lin Yea Yuam*
 2018/6/23 2018/6/23




18	EARTH TERMINAL
17	NAMEPLATE
16	GATE VALVE FOR CONSERVATOR
15	LIFTING EYEBOLT
14	OIL LEVEL GAUGE
13	THERMOMETER
12	L.V. BUSHING
11	OIL DRAIN VALVE
10	OFF-CIRCUIT TAP CHANGER
9	PRESS. REL. DEVICE
8	CONSERVATOR
7	GATE VALVE FOR CONSERVATOR
6	H.V. BUSHING
5	LIFTING LUG
4	KVA MARKING
3	SHIHLIN MARKING
2	CORRUGATE WALLS
1	SETTING BASE
ITEM	NAME OF PARTS

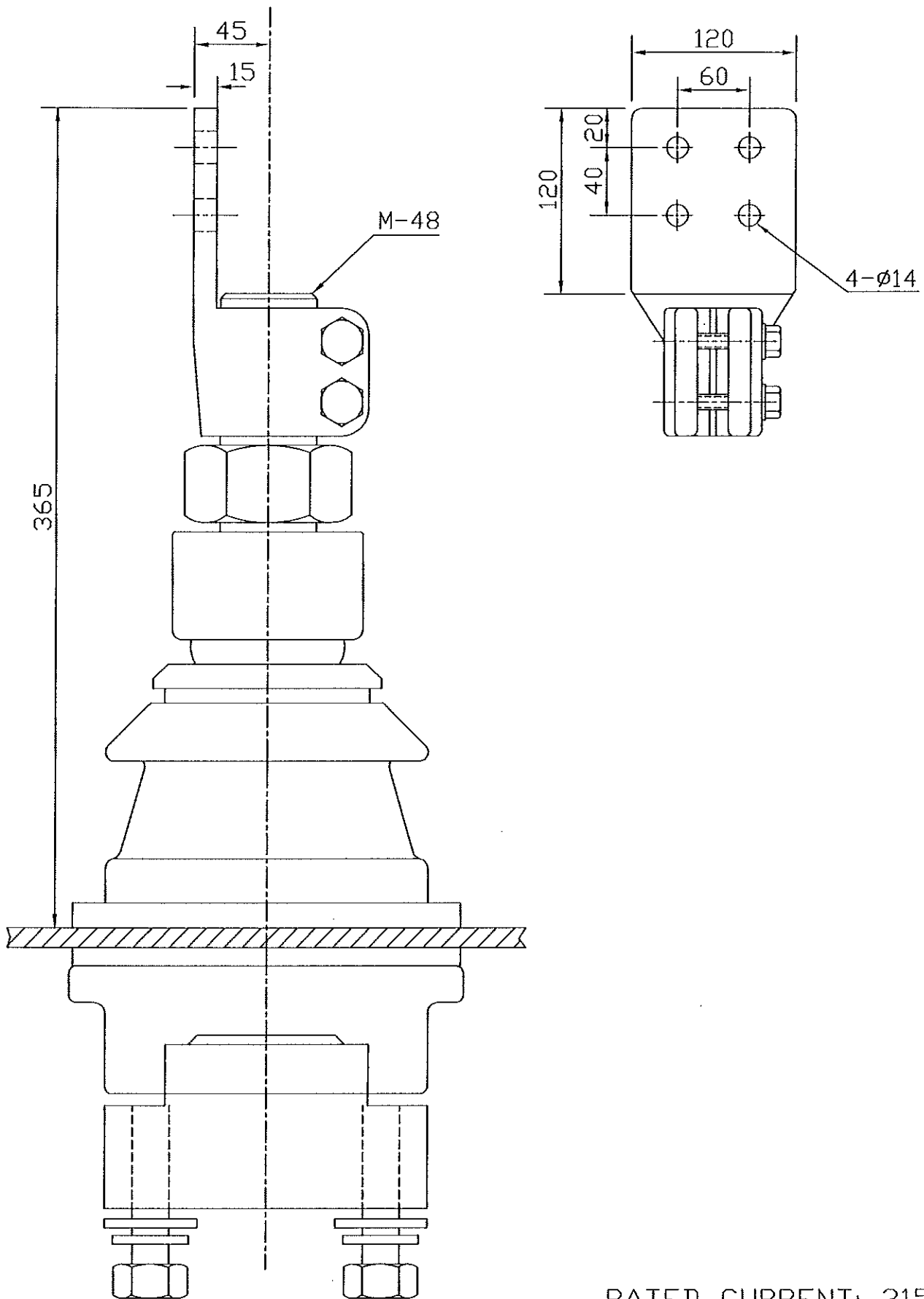
				 士林電機股份有限公司 SHIHLIN ELECTRIC & ENGINEERING CORP.		
		第三角圖法	3RD ANGLE PROJECTION	設計	校對	批准
		單位	mm	DESIGNED	CHECKED	APPROVED
		比例	×	HOANG LONG	LE TRUNG THANH	林裕淵
		日期	2017/07/20			
A	ISSUE / 發行	—	—			
REV.	修改記要 SUMMARY	REV/DATE	APPR/DATE			

圖名 TITLE		OUTLINE OF TRANSFORMER	
圖號 DWG. No.	TA020D323	A	



BIL: 125kV
 RATED CURRENT: 250A
 CREEPAGE DISTANCE: 685mm

				 士林電機股份有限公司 SHIHLIN ELECTRIC & ENGINEERING CORP.			圖名 TITLE	
				第三角圖法 3RD ANGLE PROJECTION	設計 DESIGNED	校對 CHECKED	批准 APPROVED	
				單位 DIM	NGUYEN VAN MINH 林裕淵		H.V. BUSHING	
				比例 SCALE	林裕淵			
A	ISSUE / 發行	—	—	日期 DATE	2014/07/01	圖號 DWG. No. TA060D014		
REV.	修改記要 SUMMARY	REV/DATE	APPR/DATE			A		



RATED CURRENT: 3150A



士林電機廠股份有限公司
SHIHLIN ELECTRIC & ENGINEERING CORP.

圖名
TITLE

L.V. BUSHING

第三角圖法
3RD ANGLE
PROJECTION

單位
DIM
mm

比例
SCALE
×

日期
DATE
2013/05/30

設計
DESIGNED

校對
CHECKED

批准
APPROVED

NGUYEN VAN MINH

林修民

林修民

圖號
DWG. No.

TA065D020 | A

REV.	修改記號	SUMMARY	REV./DATE	APPR./DATE
A	ISSUE / 發行			